

SLPBOLLARD

SNI
06-3568-2006



The Rubber **1** O E M
Marine Fender
Rice Hulling Roll
Oil & Gas Rubber Part
Customized Rubber Article

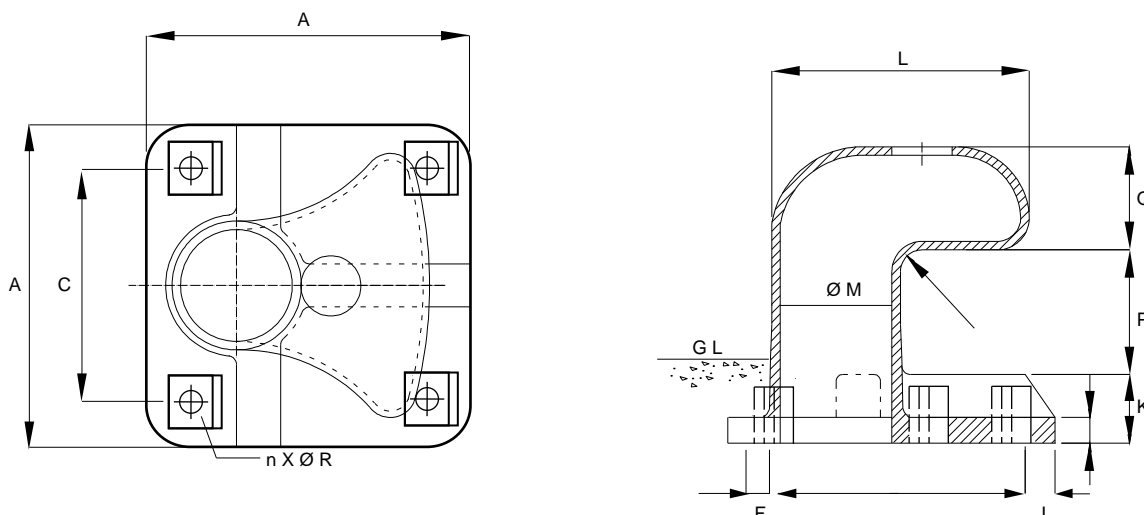
niri
RUBBER

PT. SAMUDRALUAS PARAMACITRA

Jl. Raya Cirebon-Tegal Km.10,1
Cirebon 45181, West Java, Indonesia
PO Box 577 Cirebon, Indonesia
Telp : (62-231) 510 345, 510 765, 510 769
Fax : (62-231) 510 346

BOLLARD

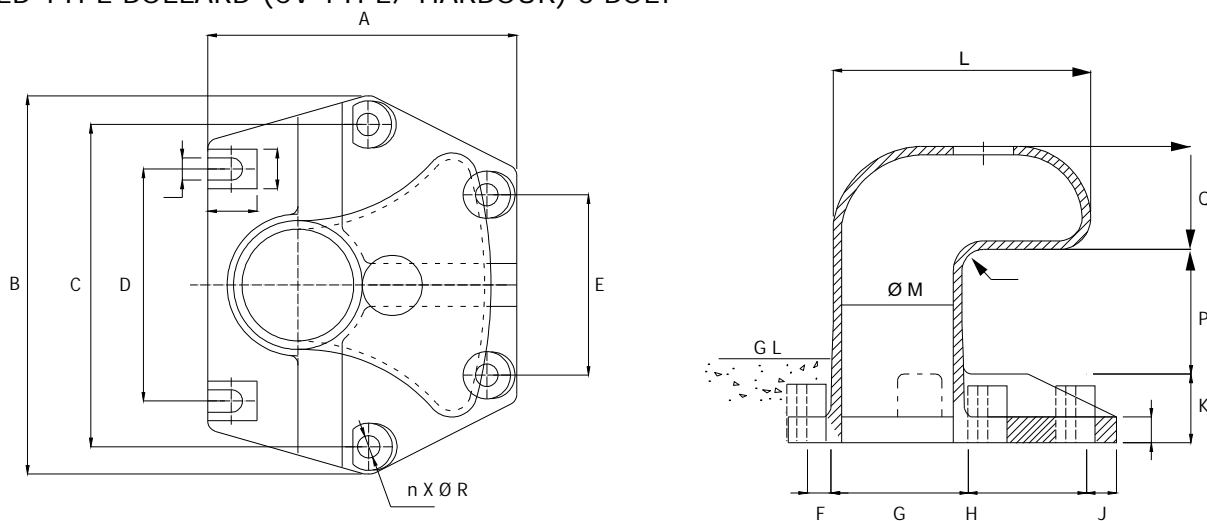
- CURVED TYPE BOLLARD (CV TYPE / HARBOUR) 4 BOLT**



- STANDARD TABLE PERFORMANCE**

Type	S.W.L Ton	Body				Base								n
		L	M	P	Q	A	C	F	H	J	K	R		
CV - 10	10	300	150	170	120	360	270	60	270	30	90	27	4	
CV - 15	15	400	200	210	160	480	360	80	360	40	110	35	4	
CV - 25	25	500	250	250	200	600	450	100	450	50	130	42	4	
CV - 35	35	600	300	290	240	720	540	120	540	60	160	52	4	

- CURVED TYPE BOLLARD (CV TYPE/ HARBOUR) 6 BOLT**

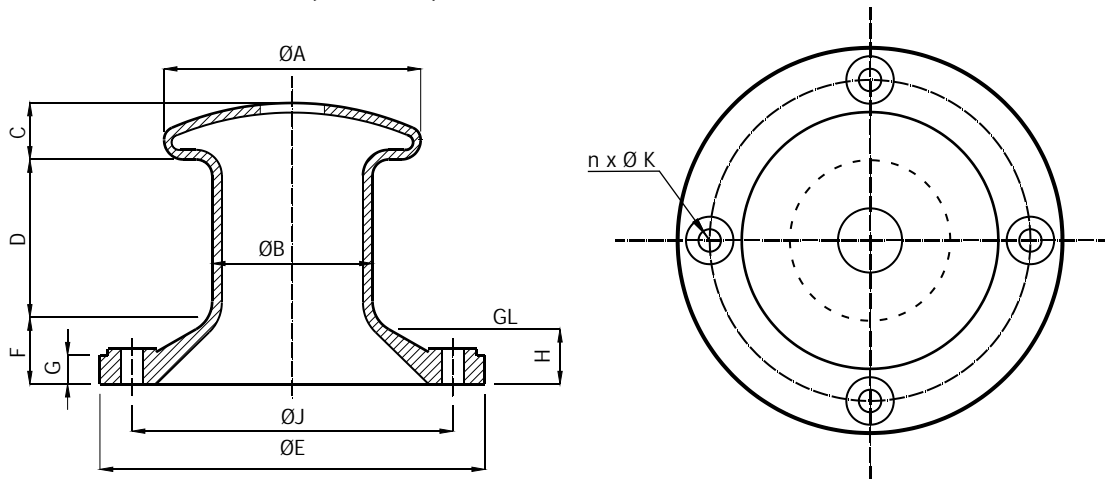


- STANDARD TABLE PERFORMANCE**

Type	S.W.L Ton	Body				Base												n
		L	M	P	Q	A	B	C	D	E	F	G	H	K	J	R		
CV - 50	50	500	300	290	240	720	810	660	420	360	50	340	270	160	60	52	6	
CV - 70	70	700	350	330	280	840	945	770	490	420	60	395	315	170	70	50	6	
CV - 100	100	800	400	370	320	1,000	1,130	920	560	500	65	475	380	210	80	58	6	
CV - 150	150	900	450	410	350	1,200	1,355	1,150	630	600	75	570	465	220	90	70	6	

BOLLARD

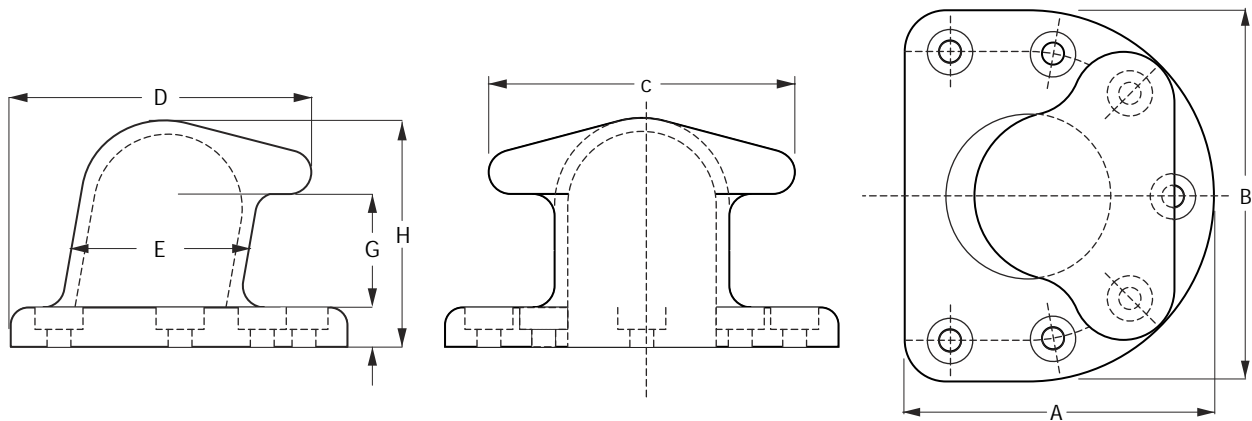
● STRAIGHT TYPE BOLLARD (SR TYPE)



STANDARD TABLE PERFORMANCE

Type	S.W.L Ton	Body				Base							n
		A	B	C	D	E	F	G	H	J	K		
SR-25	25	400	250	88	250	600	123	45	100	500	43	4	
SR-35	35	480	300	105	290	720	150	60	130	800	56	4	
SR-50	50	480	300	105	290	720	150	60	130	600	56	6	
SR-70	70	560	350	123	330	840	175	70	160	700	66	6	
SR-100	100	640	400	140	370	960	200	80	190	800	74	6	
SR-150	150	720	450	158	405	1,180	270	80	270	1,000	74	8	
SR-200	200	880	550	193	485	1,440	330	100	340	1,220	91	8	
SR-250	250	1,040	650	228	565	1,700	390	110	410	1,440	101	8	

● TEE BOLLARDS (CVS TYPE)



STANDARD TABLE PERFORMANCE

Type	S.W.L Ton	Body								Bolt
		A	B	C	D	E	F	G		
CVS 10/15	10-15	305	350	250	285	150	40	127	M 24	
CVS 15/25	15-25	410	480	360	360	190	45	145	M 30	
CVS 30/50	30-50	450	540	400	380	210	50	210	M 36	
CVS 50/80	50-80	650	800	550	550	290	70	245	M 42	
CVS 75/100	75-100	680	760	550	560	310	70	240	M 42	
CVS 100/150	100-150	760	990	700	630	370	80	280	M 48	
CVS 150/200	150-200	810	1000	750	710	381	100	306	M 54	